



PRODUCT SPECIFICATION

Description: LED Flood Light
MODEL No.: MAS-LED-500 80W



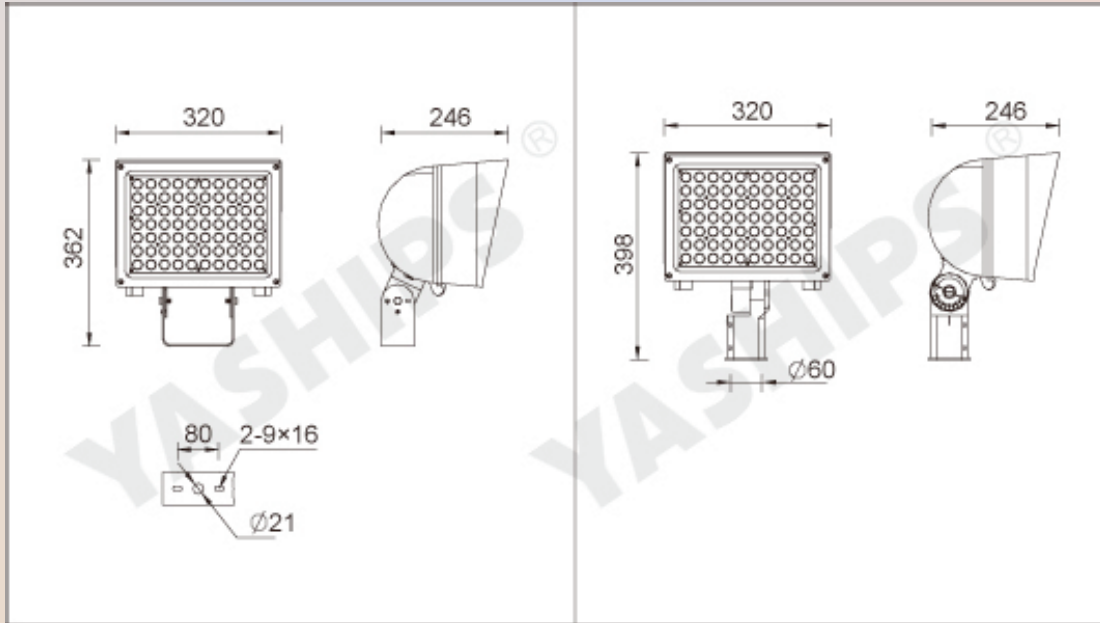
Features.

- High brightness, Single module using grain, high power LED
- Energy saving, driven by high efficiency constant, Power efficiency more than 90%
- Superior thermal design, long life, normal use can reach more than 50,000 hours.
- Strong weather ability, not sensitive to temperature, moisture to the wider
- Its simple-designed and easy to use.
- Environmental protection, not heavy metals and harmful gas.



Dimensions

MAS-LED- 500

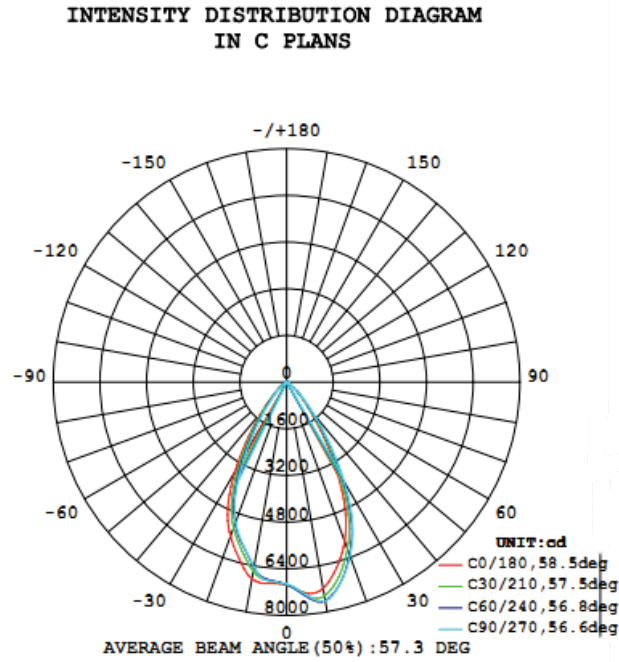


Product Parameters (80w)

ITEM	symbol	Description	UNIT
Picture of real products			
Rated Voltage	VOLT	90~305V AC	V
Power	P	76	W
Frequency	f	50~60	Hz
Luminous flux	Φ	6795	Lm
Light efficiency	η	91.5	Lm/W
Power Factor	PF	>0.96	PF
Operating Temperature	TOPR	-20~+45°C	°C
Storage Temperature	TOPR	-30~+60°C	°C
Protection Level	IP	65	IP
Lighting Angle	θ	40/60	DEGREE
Light Source	/	ETi	PCS
Total current harmonics	THD	<20	%
Correlate Color Temperature	Tc	4000	K
Color Rendering Index	CRI	>70	RA
Number of LED		50	PCS
LED'S Operating Life	LIFE	>50000	Hours
Base Type	/	/	/
Start-up time	T	<1.0	S
Switch frequency	n	>5000	/
Lumen Maintenance (3000h)	/	>94	%

Test Report

Light distribution diagram



- Avoid heavy pressure applied to the lamp, otherwise it will affect the stability of the product.
- Do not for a long time look directly at the luminaire, the lamp light can damage your eyes.
- According to the specification, use the product within the specified input voltage range.
- Non-professionals may not be demolished.
- After opening, please carefully check whether the items are complete, if damaged, please contact the supplier immediately, do not try to use.



OMEGA FACTORY FOR LUMINAIRES, POLES
& GALVANIZING (Div. of S. & A. Abahsain Co. Ltd.)

مصنع عميقة للفوانيس والأعمدة والجلفنة
(فرع شركة صالح وعبدالعزیز أباحسين المحدودة)

PRODUCT SPECIFICATION

Description: LED Flood Light
MODEL No.: MAS-LED-510 80W



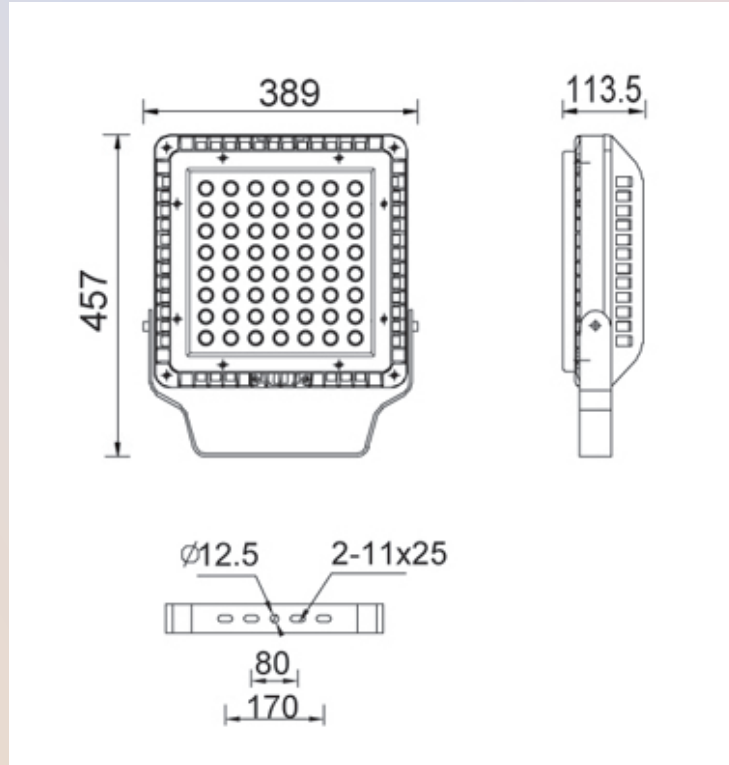
Features.

- Adopt grain LED with low optical attenuation, high luminous efficiency.
- Energy saving, driven by high efficiency constant, Power efficiency more than 90
- Superior thermal design, long life, normal use can reach more than 50,000 hours.
- Strong weather ability, not sensitive to temperature, moisture to the wider
- Its simple-designed and easy to use.
- Environmental protection, not heavy metals and harmful gas.




Dimensions

MAS-LED- 510

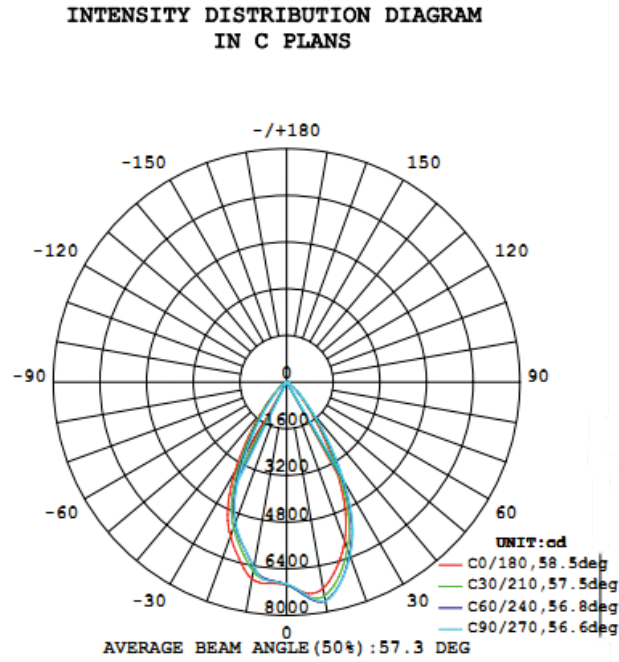


Product Parameters (80w)

ITEM	symbol	Description	UNIT
Picture of real products			
Rated Voltage	VOLT	90~305 AC	V
Power	P	76	W
Frequency	f	50~60	Hz
Luminous flux	Φ	6795	Lm
Light efficiency	η	88	Lm/W
Power Factor	PF	>0.96	PF
Operating Temperature	TOPR	-20~+45°C	°C
Storage Temperature	TOPR	-30~+60°C	°C
Protection Level	IP	65	IP
Lighting Angle	θ	40/60	DEGREE
Total current harmonics	THD	<20	%
Light Source	/	ETi	PCS
Correlate Color Temperature	Tc	4000	K
Color Rendering Index	CRI	>70	RA
Number of LED		42	PCS
LED'S Operating Life	LIFE	>50000	Hours
Base Type	/	/	/
Start-up time	T	<1.0	S
Switch frequency	n	>5000	/
Lumen Maintenance (3000h)	/	>95	%

Test Report

Light distribution diagram



- Avoid heavy pressure applied to the lamp, otherwise it will affect the stability of the product.
- Do not for a long time look directly at the luminaire, the lamp light can damage your eyes.
- According to the specification, use the product within the specified input voltage range.
- Non-professionals may not be demolished.
- After opening, please carefully check whether the items are complete, if damaged, please contact the supplier immediately, do not try to use.



PRODUCT SPECIFICATION

Description: LED Flood Light
MODEL No.: MAS-LED-520 80W



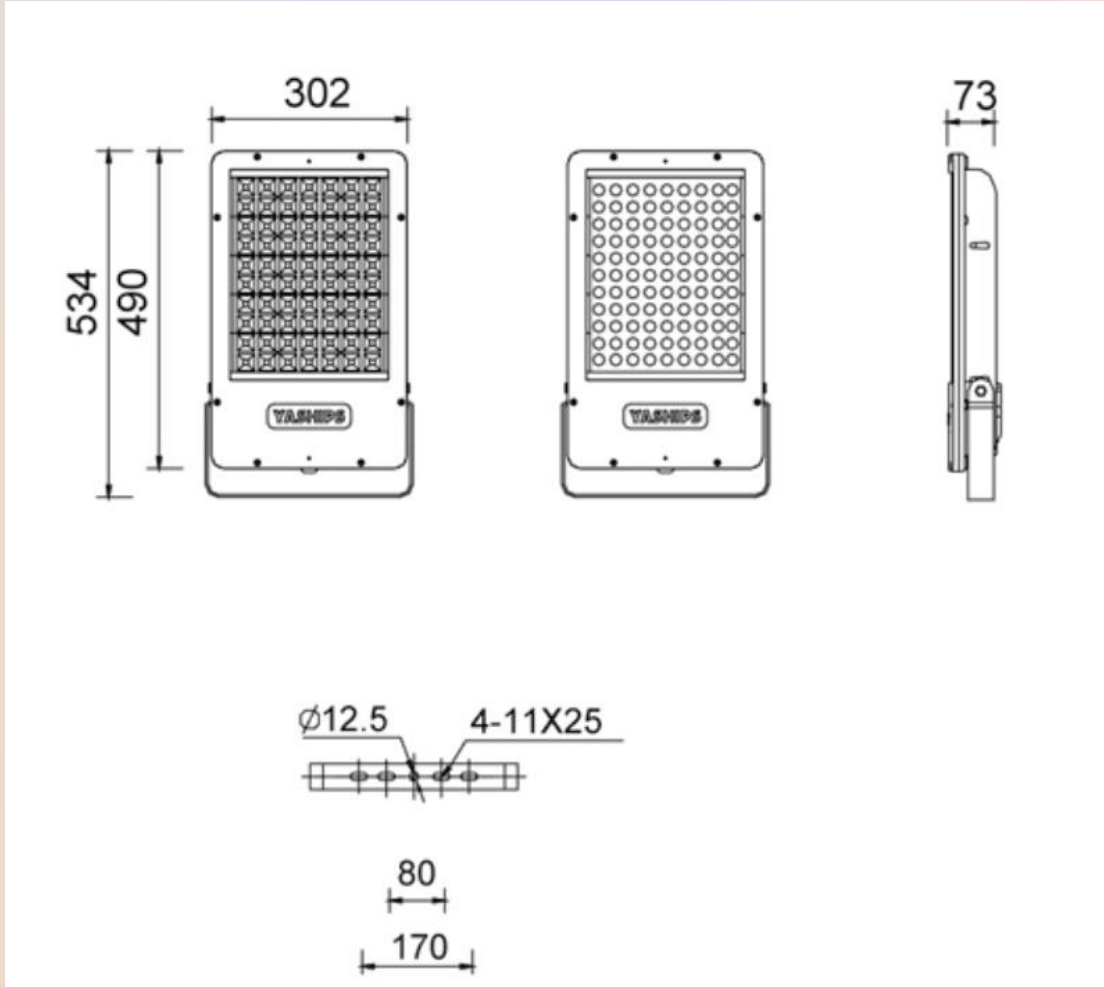
Features.

- High brightness, Single module using grain, high power LED
- Energy saving, driven by high efficiency constant, Power efficiency more than 90%
- Superior thermal design, long life, normal use can reach more than 50,000 hours.
- Strong weather ability, not sensitive to temperature, moisture to the wider
- Its simple-designed and easy to use.
- Environmental protection, not heavy metals and harmful gas.

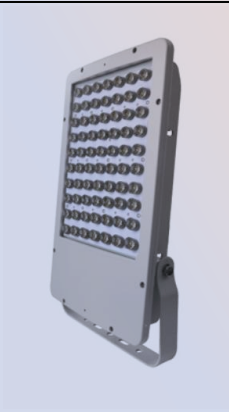


Dimensions

MAS-LED- 520

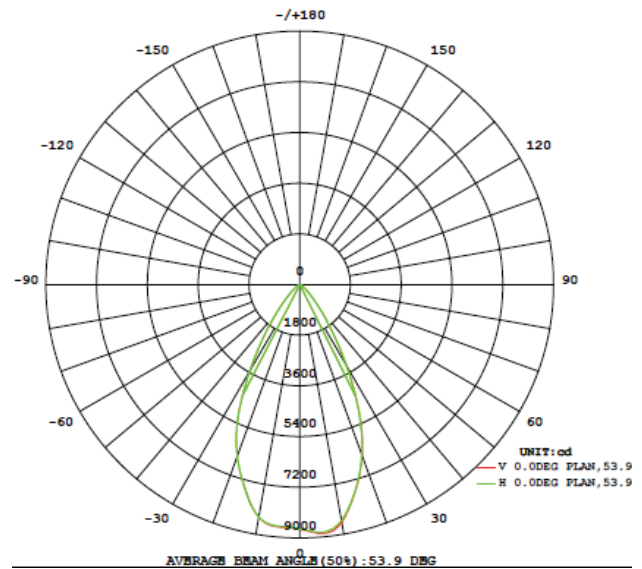
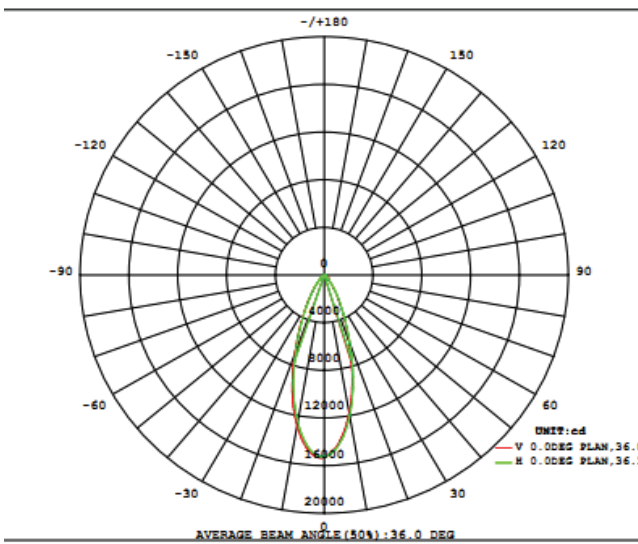


Product Parameters (80w)

ITEM	symbol	Description	UNIT
Picture of real products			
Rated Voltage	VOLT	90~305AC	V
Power	P	82	W
Frequency	f	50~60	Hz
Luminous flux	Φ	7470	Lm
Light efficiency	η	91	Lm/W
Power Factor	PF	>0.96	PF
Operating Temperature	TOPR	-20~+45°C	°C
Storage Temperature	TOPR	-30~+60°C	°C
Protection Level	IP	65	IP
Lighting Angle	θ	40/60	DEGREE
Light Source	/	ETi	PCS
Total current harmonics	THD	<20	%
Correlate Color Temperature	Tc	4000	K
Color Rendering Index	CRI	>70	RA
Number of LED		56	PCS
LED'S Operating Life	LIFE	>50000	Hours
Base Type	/	/	/
Start-up time	T	<1.0	S
Switch frequency	n	>5000	/
Lumen Maintenance (3000h)	/	>94	%

Test Report

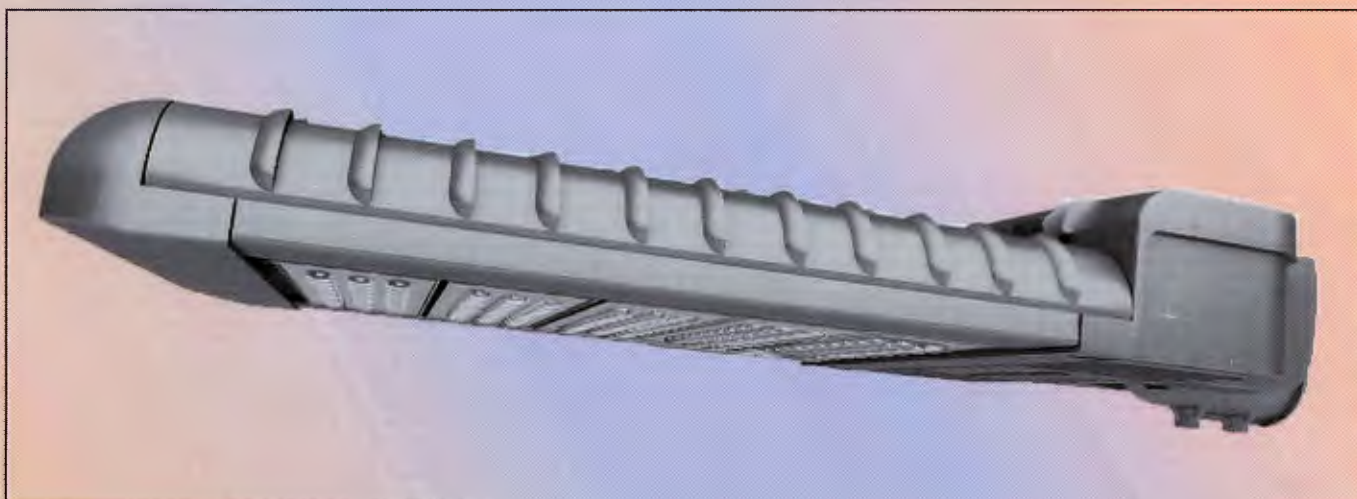
Light distribution diagram



- Avoid heavy pressure is applied to the lamp, otherwise it will affect the stability of the product.
- Do not for a long time look directly at the luminaire, the lamp light can damage your eyes.
- According to the specification, use the product within the specified input voltage range.
- Non-professionals may not be demolished.
- After opening, please carefully check whether the items are complete, if damaged, please contact the supplier immediately, do not try to use.

LUMINAIRE OMEGA TYPE MAS - LED - 700

فانوس عميقة طراز MAS-LED 700



FEATURES/SPECIFICATIONS

المواصفات / الخصائص

MW-Module (1) 150W / 200W / 240W

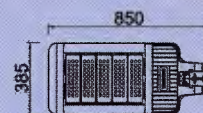
MW-Module (2) 180W / 240W / 300W

System Light Efficiency: > 100 lm/W AC90-277V

IP Grade: IP65

Color Temperature: : 3000K, 4000K, 5000K, 6000K

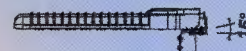
- High pressure die-casting aluminum casting, with the capability of impact resistant and corrosion resistant.
- Gear box separated from modules for independent heat release. optimal ventilation design provides higher efficiency of heat dissipation.
- Intended Use: Highway, country roads, mountain roads, resident areas, parks etc.



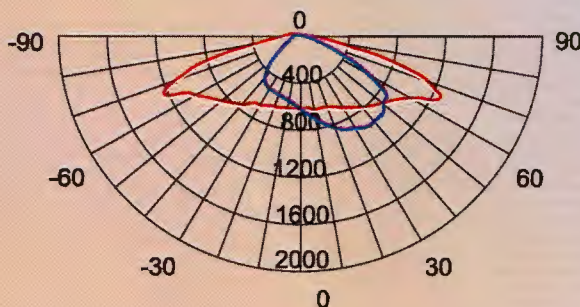
MW-Module (1)



MW-Module (2)



cd/1000lm



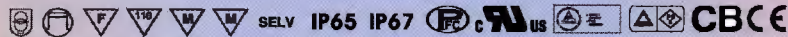


320W Single Output Switching Power Supply

HLG-320H series



- Features :
 - * Universal AC Input / Full range (up to 305VAC)
 - * Built-in active PFC function
 - * High efficiency up to 95%
 - * Protections: Short circuit / Over current / Over voltage / Over temperature
 - * Cooling by free air convection
 - * OCP point adjustable through output cable or internal potentiometer
 - * IP67 / IP65 design for indoor or outdoor installations
 - * Type HL LED Driver for use in Class I, Division 2 hazardous location luminaires
 - * Three in one dimming function (1~10Vdc or PWM signal or resistance)
 - * Suitable for LED lighting and street lighting applications
 - * Compliance to worldwide safety regulations for lighting
 - * Suitable for dry / damp / wet location
 - * 5 years warranty (Note.10)

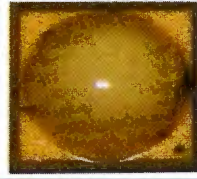


HLG-320H-12 [A] Blank : IP67 rated. Cable for I/O connection.
 A : IP65 rated. Output voltage and constant current level can be adjusted through internal potentiometer.
 B : IP67 rated. Constant current level adjustable through output cable with 1~10Vdc or PWM signal or resistance.
 C : Terminal block for I/O connection. Output voltage and constant current level can be adjusted through internal potentiometer.
 D (option) : IP67 rated. Timer dimming function, contact MEAN WELL for details.

SPECIFICATION

MODEL	HLG-320H-12	HLG-320H-15	HLG-320H-20	HLG-320H-24	HLG-320H-30	HLG-320H-36	HLG-320H-42	HLG-320H-48	HLG-320H-54	
DC VOLTAGE	12V	15V	20V	24V	30V	36V	42V	48V	54V	
CONSTANT CURRENT REGION Note.1	6~12V	7.5~15V	10~20V	12~24V	15~30V	18~36V	21~42V	24~48V	27~54V	
RATED CURRENT	22A	18A	15A	13.34A	10.7A	8.9A	7.65A	6.7A	5.95A	
RATED POWER	264W	265W	300W	320.16W	321W	320.4W	321.3W	321.8W	321.3W	
RIPPLE & NOISE (max.) Note.2	150mVp-p	150mVp-p	150mVp-p	150mVp-p	200mVp-p	250mVp-p	250mVp-p	250mVp-p	350mVp-p	
VOLTAGE ADJ. RANGE Note.5	10.8~13.5V	13.5~17V	17~22V	21~26V	26~32V	32~39V	38~45V	43~52V	48~58V	
CURRENT ADJ. RANGE	Can be adjusted by internal potentiometer A type and C type only									
	11~22A	9.5~19A	7.5~15A	6.67~13.34A	5.35~10.7A	4.45~8.9A	3.8~7.65A	3.35~6.7A	2.97~5.95A	
VOLTAGE TOLERANCE Note.3	±3.0%	±2.0%	±1.5%	±1.0%	±1.0%	±1.0%	±1.0%	±1.0%	±1.0%	
LINE REGULATION	±0.5%	±0.5%	±0.5%	±0.5%	±0.5%	±0.5%	±0.5%	±0.5%	±0.5%	
LOAD REGULATION	±2.0%	±1.5%	±1.0%	±0.5%	±0.5%	±0.5%	±0.5%	±0.5%	±0.5%	
SETUP, RISE TIME Note.8	2500ms, 80ms/115VAC 500ms, 80ms/230VAC at full load									
HOLD UP TIME (Typ.)	15ms at full load 230VAC/115VAC									
VOLTAGE RANGE Note.5	90~305VAC 127~431VDC									
FREQUENCY RANGE	47~63Hz									
POWER FACTOR (Typ.)	PF>0.98/115VAC, PF>0.95/230VAC, PF>0.94/277VAC at full load (Please refer to "Power Factor Characteristic" curve)									
TOTAL HARMONIC DISTORTION	THD<20% when output loading ≥ 50% at 115VAC/230VAC input and output loading ≥ 75% at 277VAC input									
EFFICIENCY (Typ.) (230VAC)	91%	92.5%	93.5%	94%	94%	94.5%	95%	95%	95%	
EFFICIENCY (Typ.) (277VAC)	91.5%	93%	94%	94.5%	94.5%	95%	95%	95%	95%	
AC CURRENT (Typ.)	3.5A / 115VAC 1.65A / 230VAC 1.45A / 277VAC									
INRUSH CURRENT (Typ.)	COLD START 70A (peak)=1010µs measured at 50% (peak) at 230VAC									
LEAKAGE CURRENT	<0.75mA / 277VAC									
OVER CURRENT Note.4	95~108% Protection type : Constant current limiting, recovers automatically after fault condition is removed									
SHORT CIRCUIT	Hiccup mode, recovers automatically after fault condition is removed.									
OVER VOLTAGE	14~17V 17.5~21V 22.5~27V 27~33V 33~37V 40~48V 46.5~53V 53.5~60V 58~65V Protection type : Shut down and latch off of p voltage, re-power on to recover									
OVER TEMPERATURE	Shut down and latch off of p voltage, re-power on to recover									
WORKING TEMP.	-40~+70°C (Refer to "Derating Curve")									
WORKING HUMIDITY	20~95% RH non-condensing									
STORAGE TEMP., HUMIDITY	-40~+80°C, 10~95% RH									
TEMP. COEFFICIENT	±0.03%/°C (0~50°C)									
VIBRATION	10~500Hz, 5G 12min./cycle, period for 72min. each along X, Y, Z axis									
SAFETY STANDARDS Note.7	UL8750, CSA C22.2 No. 250.0-08, EN61347-1, EN61347-2-13 independent, IP65 or IP67 (except for HLG-320H C type), J61347-1, J61347-2-13 (except for HLG-320H C type) approved									
WITHSTAND VOLTAGE	I/P-O/P: 3.75KVAC I/P-FG: 2KVAC O/P-FG: 1.5KVAC									
ISOLATION RESISTANCE	I/P-O/P, I/P-FG, O/P-FG: 100M Ohms / 500VDC / 25°C / 70% RH									
EMC EMISSION	Compliance to EN55015, EN55022 (CISPR22) Class B, EN61000-3-2 Class C (≥50% load); EN61000-3-3									
EMC IMMUNITY	Compliance to EN61000-4-2, 3, 4, 5, 6, 8, 11, EN61547, EN55024, light industry level (surge 4KV), criteria B									
MTBF	157.1K hrs min. MIL-HDBK-217F (25°C)									
DIMENSION	252*90*43.8mm (L*W*H)									
PACKING	1.88Kg; 6pcs/16kg/0.92CUFT									
NOTE	1. All parameters NOT specially mentioned are measured at 230VAC input, rated load and 25°C of ambient temperature. 2. Ripple & noise are measured at 20MHz of bandwidth by using a 12" twisted pair-wire terminated with a 0.1µf & 47µf parallel capacitor. 3. Tolerance : includes set up tolerance, line regulation and load regulation. 4. Please refer to "DRIVING METHODS OF LED MODULE". 5. Derating may be needed under low input voltages. Please check the static characteristics for more details. 6. A type and C type only. 7. Safety and EMC design refer to EN60998-1, subject CNS16233, GB7000.1, FCC part1B. 8. Length of set up time is measured at cold first start. Turning ON/OFF the power supply may lead to increase of the set up time. 9. The power supply is considered as a component that will be operated in combination with final equipment. Since EMC performance will be affected by the complete installation, the final equipment manufacturers must re-qualify EMC Directive on the complete installation again. 10. Refer to warranty statement. 11. To fulfill requirements of the latest ErP regulation for lighting fixtures, this LED power supply can only be used behind a switch without permanently connected to the mains.									

NLW 3232M1



Product Features

- High efficacy for cost effective solutions
- Optimized for optical design, and provide high quality lighting solution
- Industry-leading thermal resistance
- Reflow solder able-JEDEC J-STD-020C standard compatible

Product Applications

- Outdoor lighting
- Indoor lighting
- Down Light
- Spot Light
- Automotive lighting
- Street lighting

Product Specification

CCT	CRI Typ. @350mA	Flux		Forward Voltage		Viewing Angle Typ. @350mA	Thermal Resistance Typ. @350mA
		Typ. @350mA	Typ. @700mA	Typ. @350mA	Max. @350mA		
2700K	80	114lm	205lm	2.85V	3.25V	120°	3.5°C/W
3000K	70	139lm	260lm	2.85V	3.25V	120°	3.5°C/W
4000K	70	148lm	270lm	2.85V	3.25V	120°	3.5°C/W
5700K	70	156lm	286lm	2.85V	3.25V	120°	3.5°C/W
6500K	70	156lm	295lm	2.85V	3.25V	120°	3.5°C/W

Notes:

1. Photoelectric parameters tested by CA5140-151 Spectrometer of I.S. Inc (German) and 2601 Source meter of Keithley Inc (US), at Forward Current = 350mA, Test Time =20ms, Ambient Temperature = 25°C.
2. Viewing angle (the angle of 50% central luminous intensity) tested by SIG-400 Source Imaging Goniometer of R.I. Inc (US), Optical simulation software light source data of ProSource\Lighttools\TracePro\ASAP\Zemax etc is available upon request.
3. The devices thermal resistance was tested by T3Ster of MicRed company (Hungary)
4. ETI maintains a testing tolerance of $\pm 7\%$ on flux and power measurements, ± 0.005 on chromaticity (CCx, CCy), ± 2 on CRI measurements

Absolute Maximum Ratings

Item	Symbol	Absolute Maximum Rating
Junction Temperature (°C)	T_j	135°C
Operating Temperature (°C)	T_{op}	-40°C - 120°C
Storage Temperature (°C)	T_{stg}	-40°C - 135°C
Forward Current	I_f	100~1250mA
Pulse Forward Current	I_{FM}	1500mA
Reverse Voltage	V_R	No Reverse Operation Design
Electrostatic Discharge	ESD (HBM)	8000V

Notes:

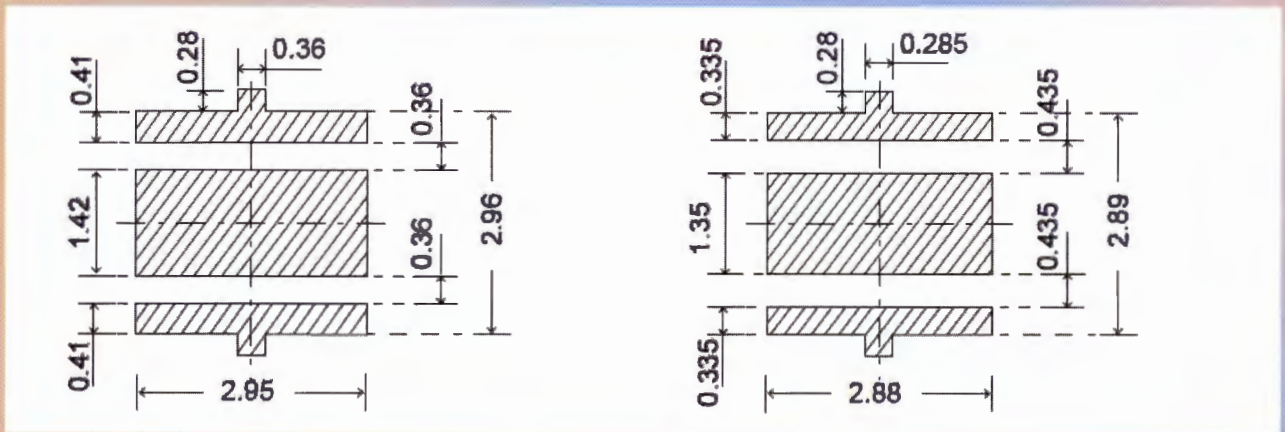
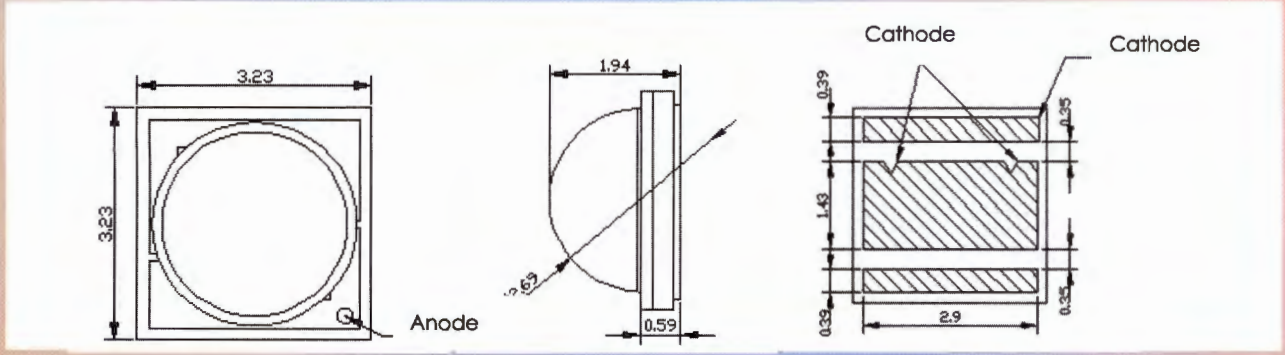
1. Maximum Forward Current and Maximum Pulse Current require the junction temperature to be lower than the rated junction temperature;
2. IFM condition Pulse width at 50ms and duty cycle at 0.016;
3. Built-in ESD protection diode.

NLW 3232M1



Mechanical Dimensions:

Unit: mm Tolerance: ± 0.1



Recommended PCB Solder PAD

Recommended Stencil Pattern



PRODUCT SPECIFICATION

Description: LED Street Light
MODEL No.: MAS-LED-710 150W




Features.

- High brightness, Single module using 84 grain, high power LED.
- Energy Saving, driven by high efficiency constant, Power efficiency more than 90%
- Superior thermal design long life, normal use can reach more than 50,000 hours.
- Strong weather ability, not sensitive to temperature, moisture to the wider.
- It's simple-designed and easy to use.
- Environmental protection. not heavy metals and harmful gas.
- For roads, village roads, mountain roads, residential quarters, parks.



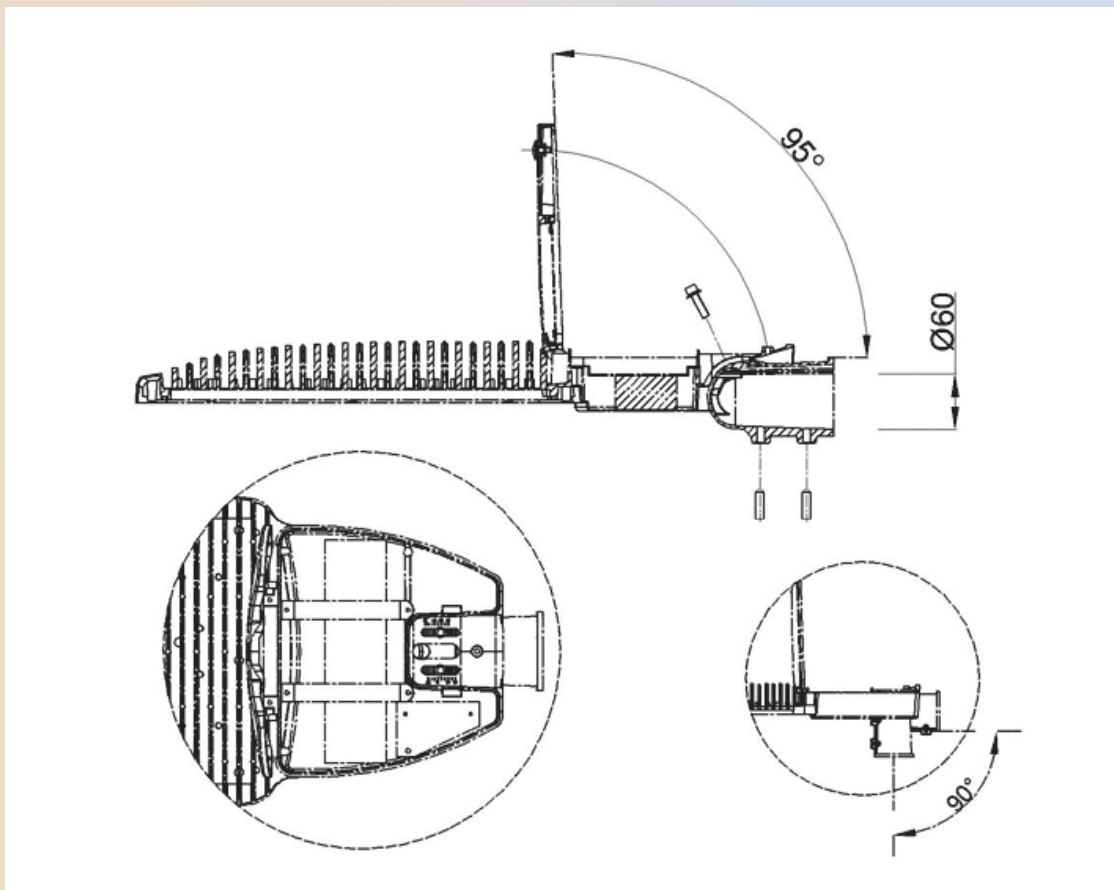
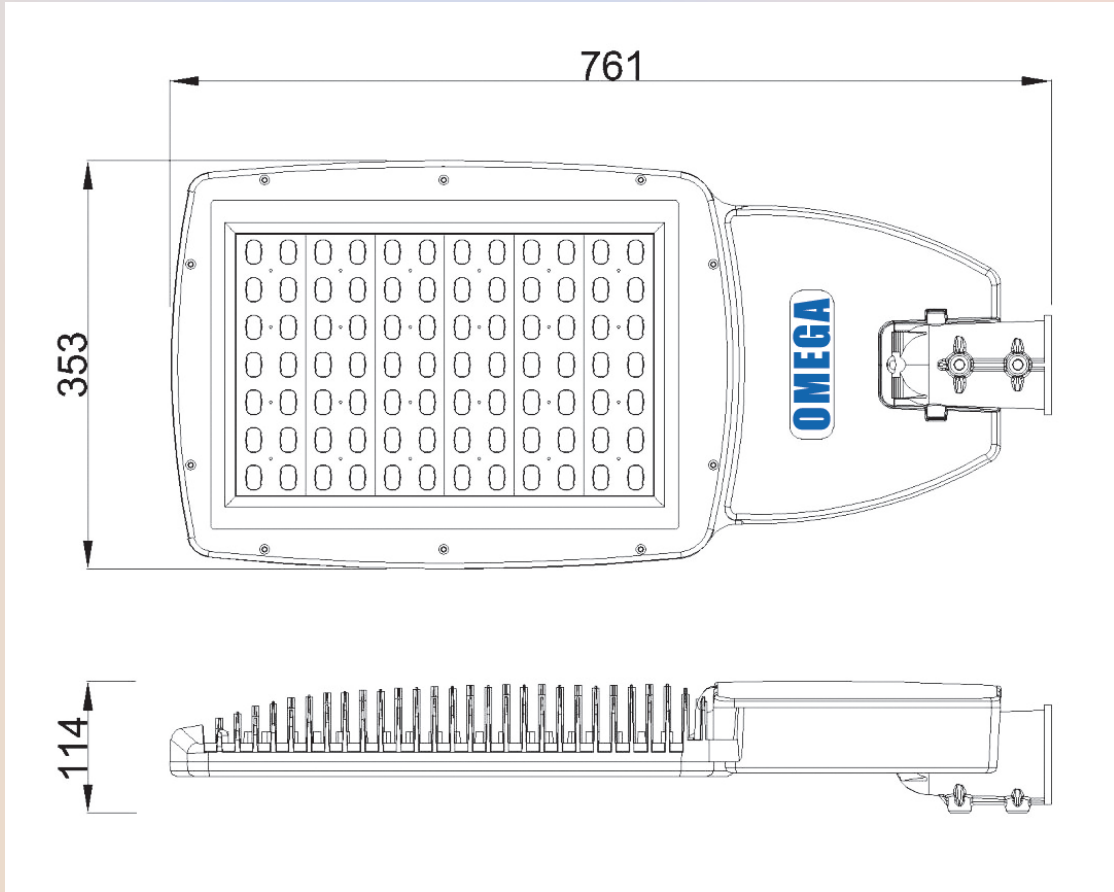
Product Parameters (150w)

ITEM	symbol	Description	UNIT
Picture of real products			
Rated Voltage	VOLT	176 ~ 305AC	V
Power	P	150	W
Frequency	f	47~63	Hz
Luminous flux	Φ	14250	Lm
Light efficiency	η	95	Lm/W
Power Factor	PF	>0.9	PF
Operating Temperature	TOPR	-40~+45 °C	°C
Storage Temperature	TOPR	-20~+60 °C	°C
Protection Level	IP	65	IP
Lighting Angle	θ	Assy:40° X135° Polarized 35°	DEGREE
Light Source	/	Elec-tech brand LED 84pcs	
Brand of driver		Meanwell or Inventronics	
Total current harmonic	THD	<20	%
Correlate Color Temperature	Tc	3500	K
Color Rendering Index	CRI	>70	RA
Number of LED		84	PCS
LED'S Operating Life	LIFE	50000	Hours
Base Type	/	/	/
Start-up time	T	<1.0	S
Switch frequency	n	>5000	/
□ 6000h)	/	>96	%



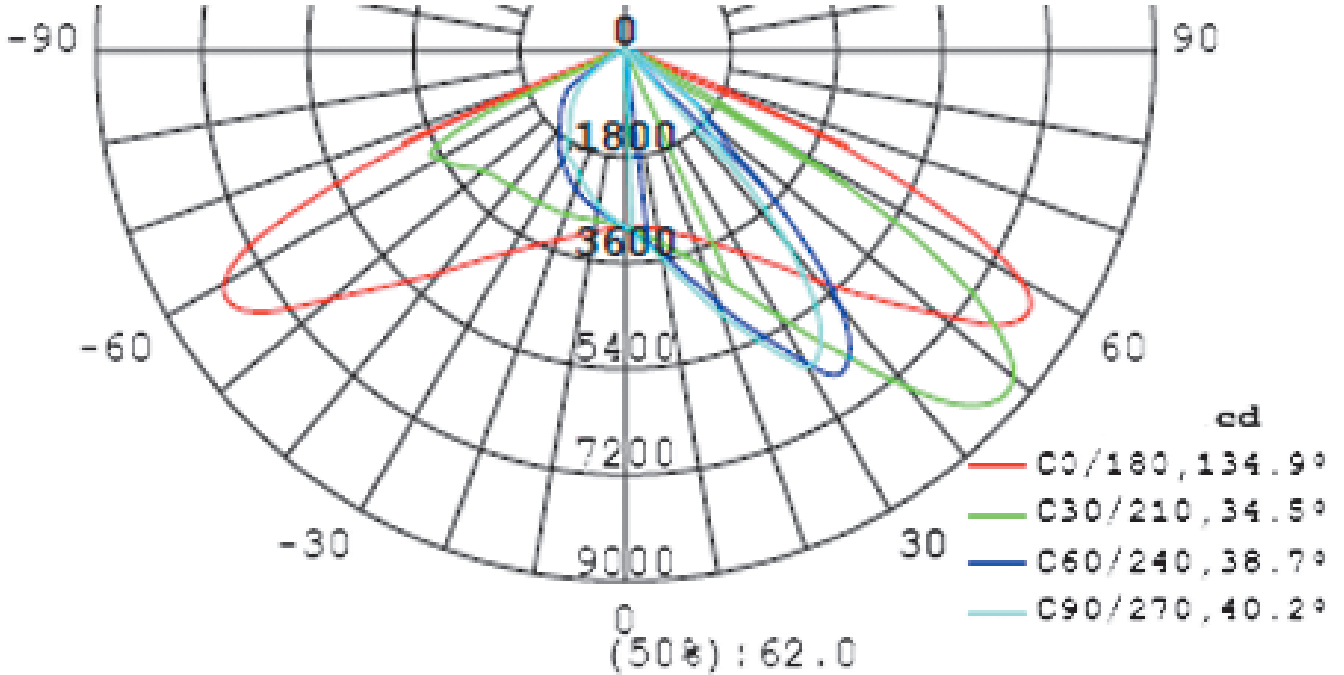
Dimensions

MAS-LED-710 (150w)



Test Report

Light distribution diagram



Packing Size

/W	(Kg)	(mm)	(mm)	(mm)
150	12.4	550x950	775x375x160	1

- Avoid heavy pressure applied to the lamp, otherwise it will affect the stability of the product.
- Do not, for a long time look directly at the luminaire, the lamp light can damage your eyes.
- According to the specification, use the product within the specified input voltage range.
- Non-professionals may not be demolished.
- After opening, please carefully check whether the items are complete, if damaged, please contact the supplier immediately, do not try to use .

PRODUCT SPECIFICATION

Description: LED Street Light
MODEL No.: MAS-LED-720 120W




Features.

- High brightness, Single module using 84 grain, high power LED.
- Energy Saving, driven by high efficiency constant, Power efficiency more than 90%
- Superior thermal design long life, normal use can reach more than 50,000 hours.
- Strong weather ability, not sensitive to temperature, moisture to the wider.
- It's simple-designed and easy to use.
- Environmental protection. not heavy metals and harmful gas.
- For roads, village roads, mountain roads, residential quarters, parks.



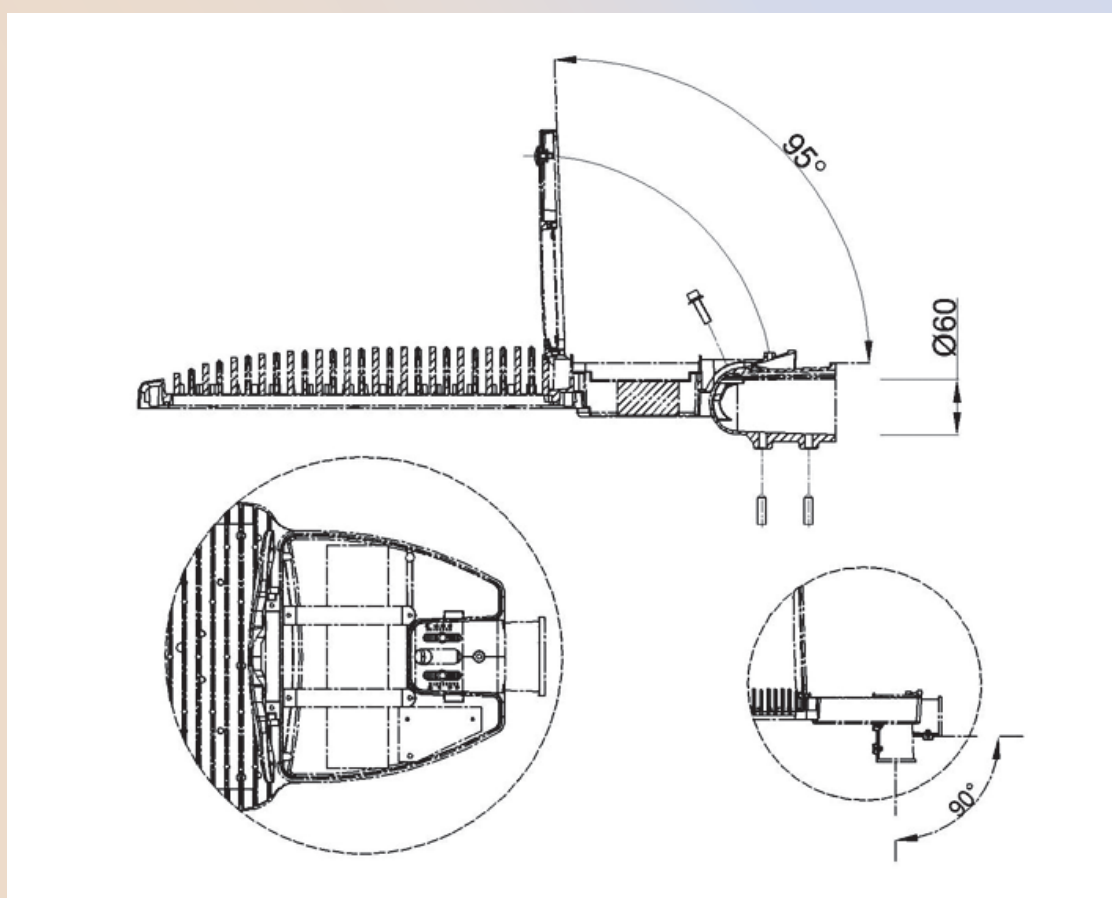
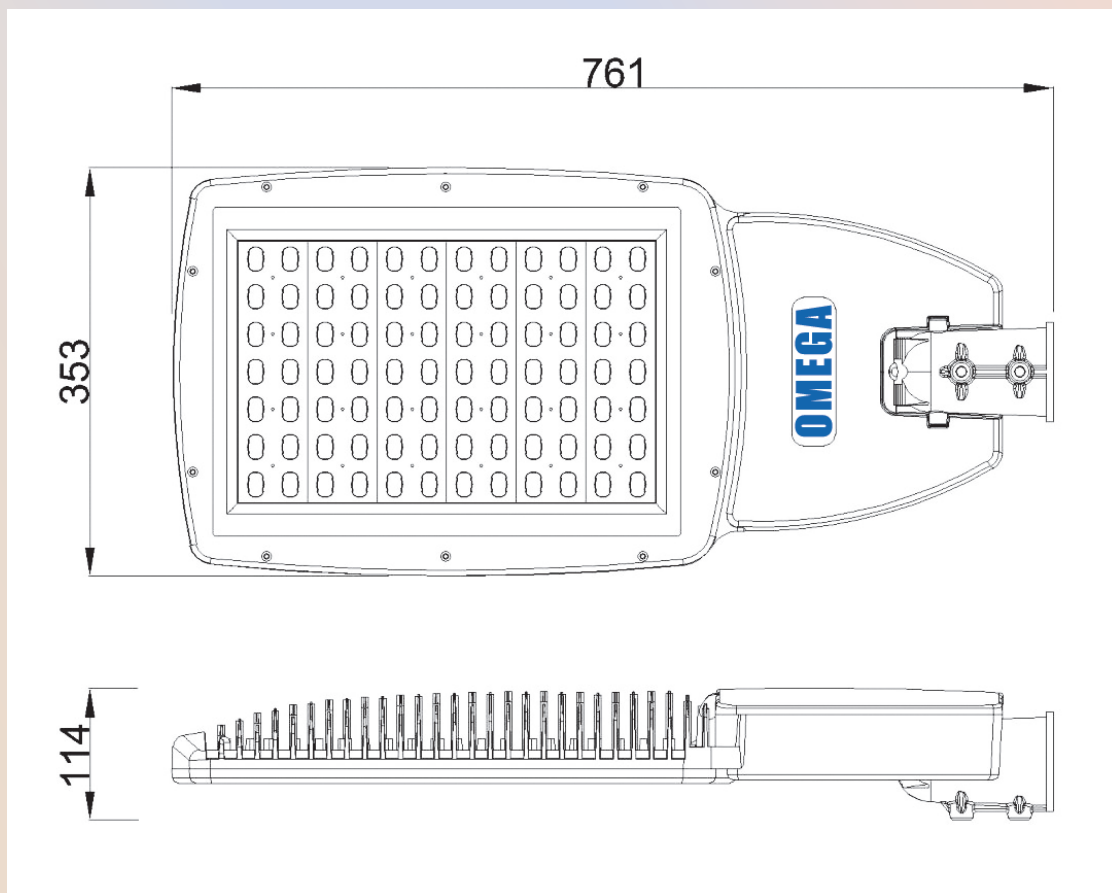
Product Parameters (120w)

ITEM	symbol	Description	UNIT
Picture of real products			
Rated Voltage	VOLT	176 ~ 305AC	V
Power	P	120	W
Frequency	f	47~63	Hz
Luminous flux	Φ	12900	Lm
Light efficiency	η	108	Lm/W
Power Factor	PF	>0.9	PF
Operating Temperature	TOPR	-40~+45 °C	°C
Storage Temperature	TOPR	-20~+60 °C	°C
Protection Level	IP	65	IP
Lighting Angle	θ	Assy:40° X135° Polarized 35°	DEGREE
Light Source	/	Elec-tech brand LED 84pcs	
Brand of driver		Meanwell or Inventronics	
Total current harmonic	THD	<20	%
Correlate Color Temperature	Tc	3500	K
Color Rendering Index	CRI	>70	RA
Number of LED		84	PCS
LED'S Operating Life	LIFE	50000	Hours
Base Type	/	/	/
Start-up time	T	<1.0	S
Switch frequency	n	>5000	/
□ 6000h)	/	>96	%



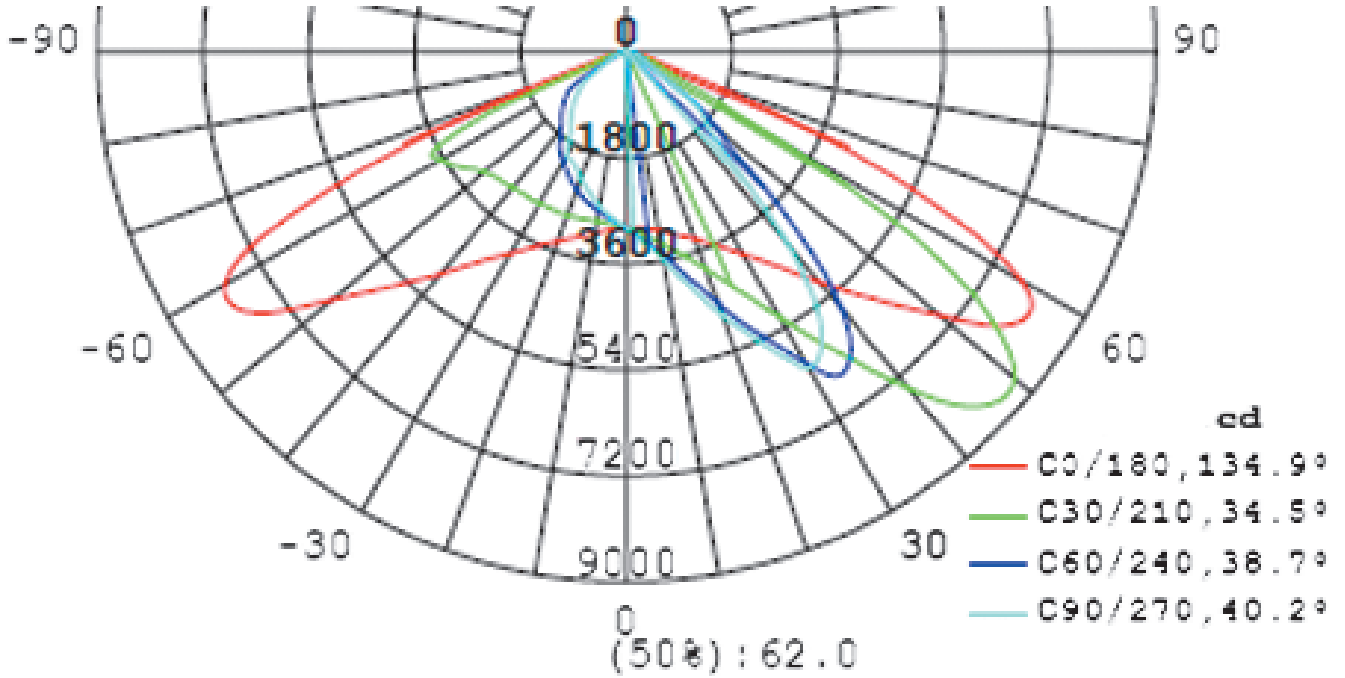
Dimensions

MAS-LED-720 (120w)



Test Report

Light distribution diagram



Packing Size

/W	(Kg)	(mm)	(mm)	(mm)
150	12.4	550x950	775x375x160	1

- Avoid heavy pressure applied to the lamp, otherwise it will affect the stability of the product.
- Do not, for a long time look directly at the luminaire, the lamp light can damage your eyes.
- According to the specification, use the product within the specified input voltage range.
- Non-professionals may not be demolished.
- After opening, please carefully check whether the items are complete, if damaged, please contact the supplier immediately, do not try to use .

PRODUCT SPECIFICATION

Description: LED Street Light
MODEL No.: MAS-LED-730




Features.


- High brightness, Single module using 70/84 grain, high power LED.
- Energy Saving, driven by high efficiency constant, Power efficiency more than 90%
- Superior thermal design long life, normal use can reach more than 50,000 hours.
- Strong weather ability, not sensitive to temperature, moisture to the wider.
- It's simple-designed and easy to use.
- Environmental protection. not heavy metals and harmful gas.
- For roads, village roads, mountain roads, residential quarters, parks.




Product Parameters (80w)

ITEM	symbol	Description	UNIT
Picture of real products			
Rated Voltage	VOLT	176 ~ 305AC	V
Power	P	80	W
Frequency	f	47~63	Hz
Luminous flux	Φ	8800	Lm
Light efficiency	η	108	Lm/W
Power Factor	PF	>0.9	PF
Operating Temperature	TOPR	-40~+45 °C	°C
Storage Temperature	TOPR	-20~+60 °C	°C
Protection Level	IP	65	IP
Lighting Angle	θ	Assy:40° X135° Polarized 35°	DEGREE
Light Source	/	Elec-tech brand LED 84pcs	
Brand of driver		Meanwell or Inventronics	
Total current harmonic	THD	<20	%
Correlate Color Temperature	Tc	3500	K
Color Rendering Index	CRI	>70	RA
Number of LED		84	PCS
LED'S Operating Life	LIFE	50000	Hours
Base Type	/	/	/
Start-up time	T	<1.0	S
Switch frequency	n	>5000	/
□ 6000h)	/	>96	%

Product Parameters (120W)

ITEM	symbol	Description	UNIT
Picture of real products			
Rated Voltage	VOLT	176 ~ 305AC	V
Power	P	120	W
Frequency	f	47~63	Hz
Luminous flux	Φ	12900	Lm
Light efficiency	η	108	Lm/W
Power Factor	PF	>0.9	PF
Operating Temperature	TOPR	-40~+45 °C	°C
Storage Temperature	TOPR	-20~+60 °C	°C
Protection Level	IP	65	IP
Lighting Angle	θ	Assy:40° X135° Polarized 35°	DEGREE
Light Source	/	Elec-tech brand LED 84pcs	
Brand of driver		Meanwell or Inventronics	
Total current harmonic	THD	<20	%
Correlate Color Temperature	Tc	3500	K
Color Rendering Index	CRI	>70	RA
Number of LED		84	PCS
LED'S Operating Life	LIFE	50000	Hours
Base Type	/	/	/
Start-up time	T	<1.0	S
Switch frequency	n	>5000	/
□ 6000h)	/	>96	%

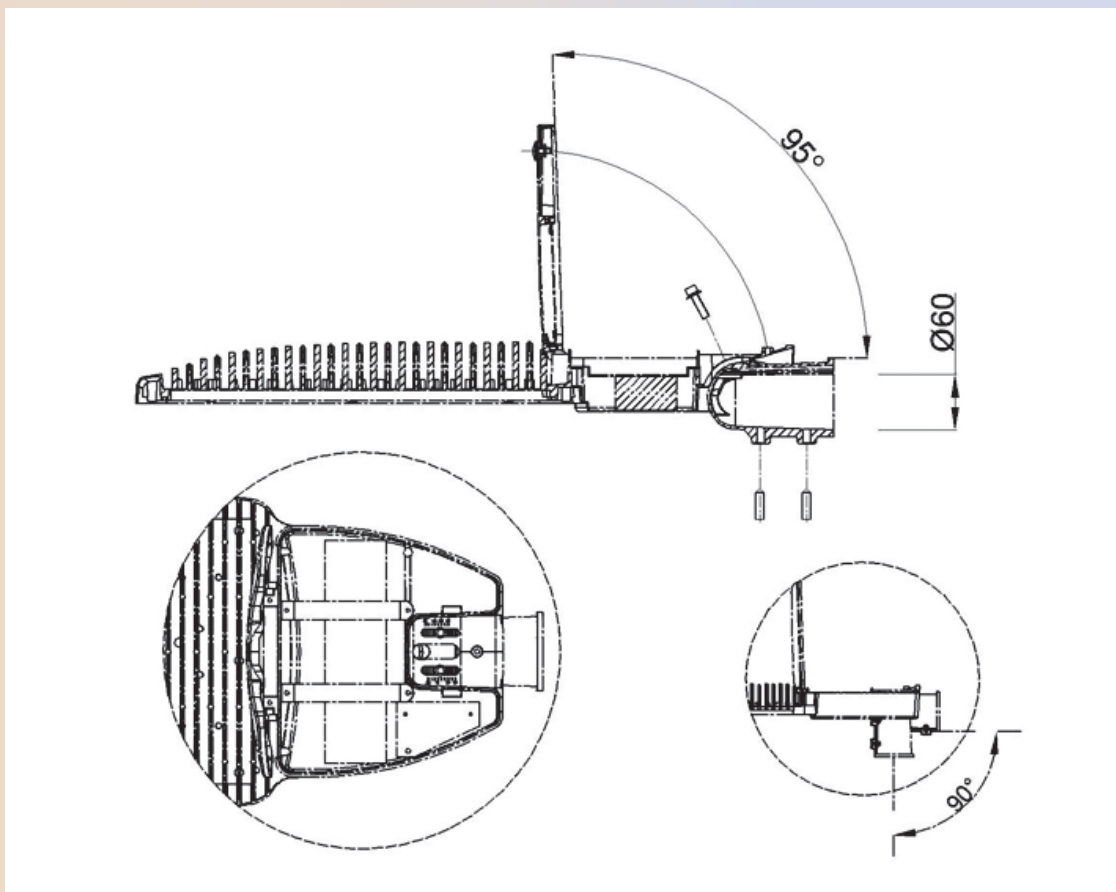
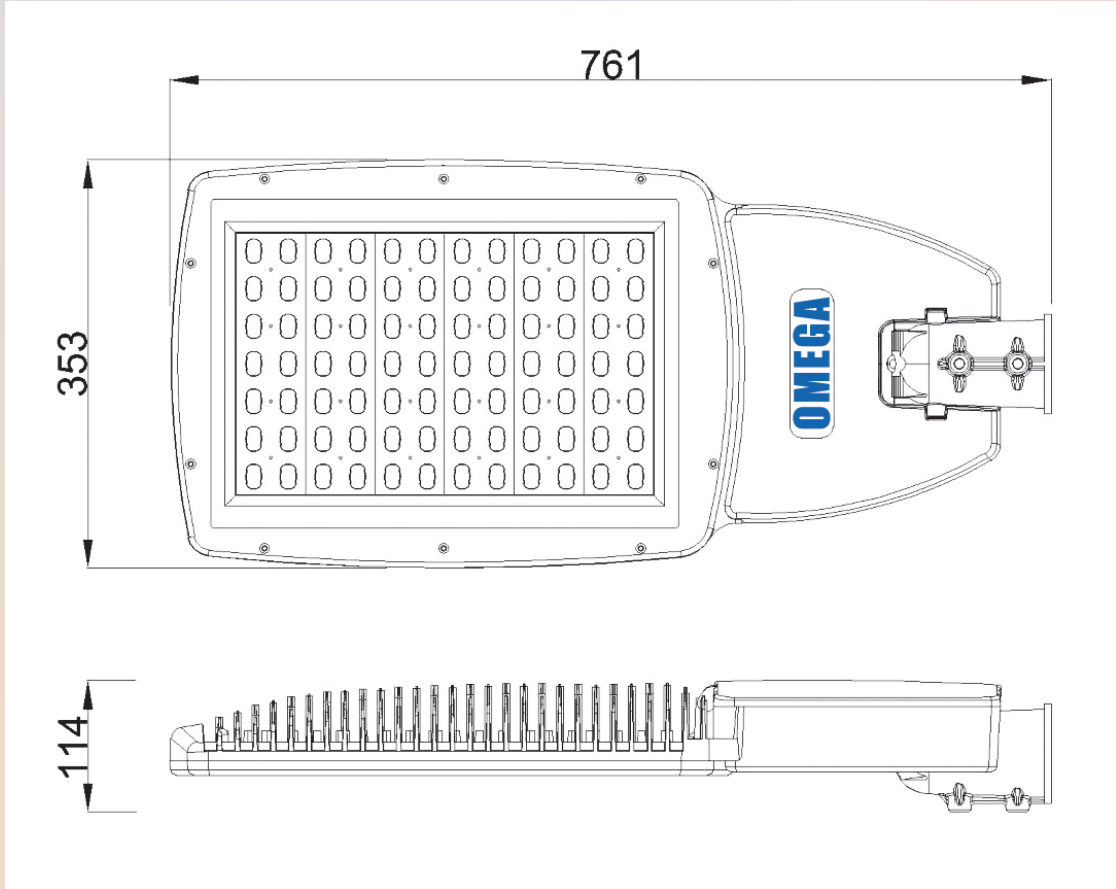
Product Parameters (150w)

ITEM	symbol	Description	UNIT
Picture of real products			
Rated Voltage	VOLT	176 ~ 305AC	V
Power	P	150	W
Frequency	f	47~63	Hz
Luminous flux	Φ	14250	Lm
Light efficiency	η	95	Lm/W
Power Factor	PF	>0.9	PF
Operating Temperature	TOPR	-40~+45 °C	°C
Storage Temperature	TOPR	-20~+60 °C	°C
Protection Level	IP	65	IP
Lighting Angle	θ	Assy:40° X135° Polarized 35°	DEGREE
Light Source	/	Elec-tech brand LED 84pcs	
Brand of driver		Meanwell or Inventronics	
Total current harmonic	THD	<20	%
Correlate Color Temperature	Tc	3500	K
Color Rendering Index	CRI	>70	RA
Number of LED		84	PCS
LED'S Operating Life	LIFE	50000	Hours
Base Type	/	/	/
Start-up time	T	<1.0	S
Switch frequency	n	>5000	/
□ 6000h)	/	>96	%



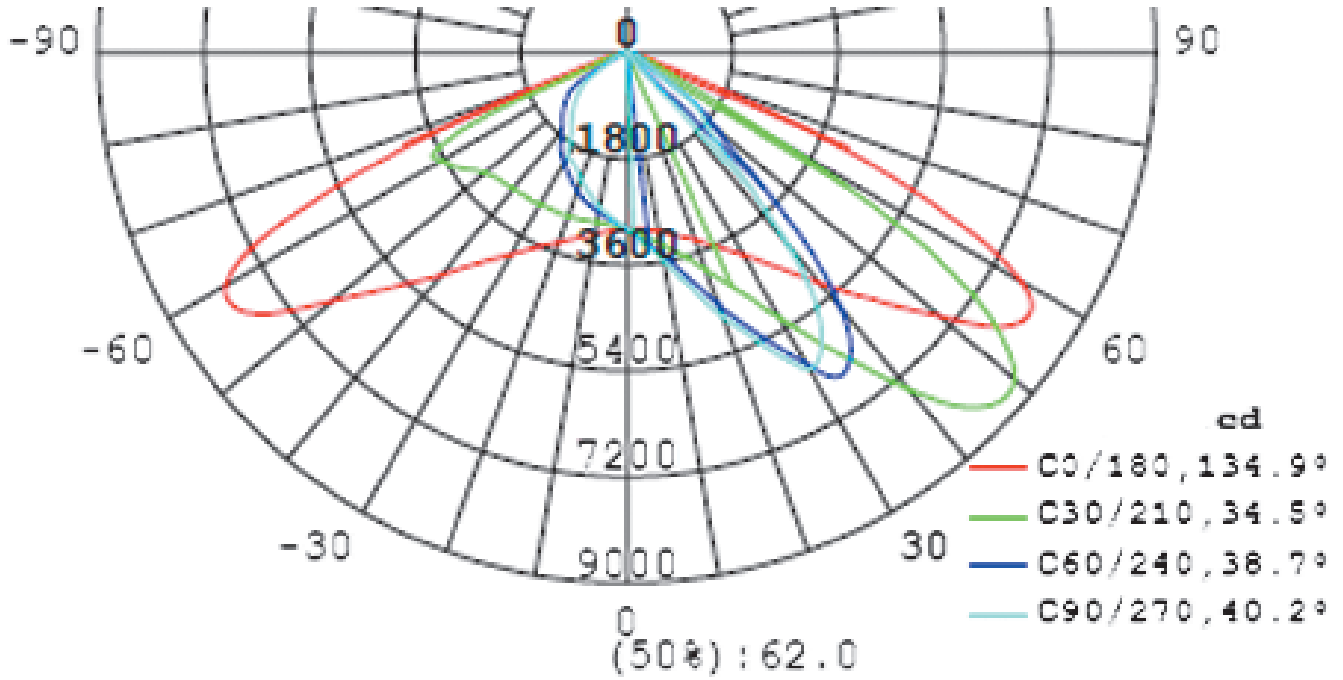
Dimensions

MAS-LED-730



Test Report

Light distribution diagram



Packing Size

/W	(Kg)	(mm)	(mm)	(mm)
150	12.4	550x950	775x375x160	1

- Avoid heavy pressure applied to the lamp, otherwise it will affect the stability of the product.
- Do not, for a long time look directly at the luminaire, the lamp light can damage your eyes.
- According to the specification, use the product within the specified input voltage range.
- Non-professionals may not be demolished.
- After opening, please carefully check whether the items are complete, if damaged, please contact the supplier immediately, do not try to use .