



OMEGA FACTORY FOR LUMINAIRES, POLES
& GALVANIZING (Div. of S. & A. Abahsain Co. Ltd.)

مصنع عميقة للفوانيس والأعمدة والجلفنة
(فرع شركة صالح وعبدالعزيز أباحسين المحدودة)

PRODUCT SPECIFICATION

Description: LED Street Light

MODEL No.: MAS-LED-740 (120 LED) 180W



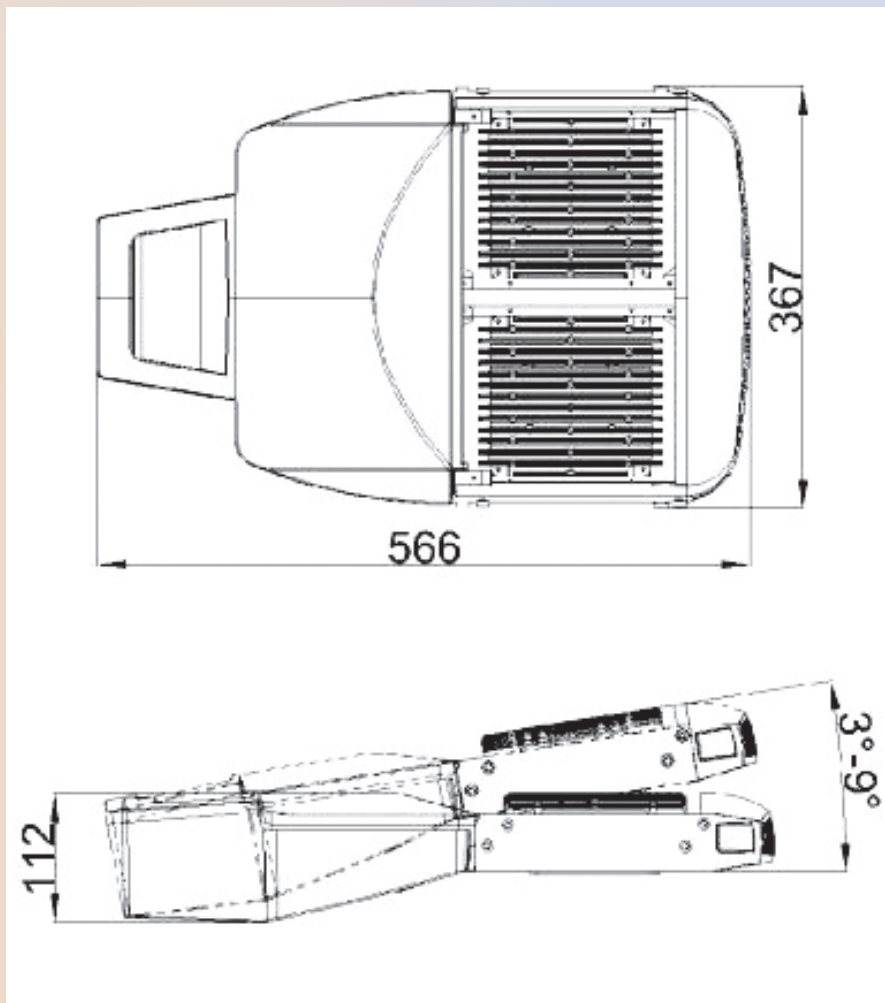
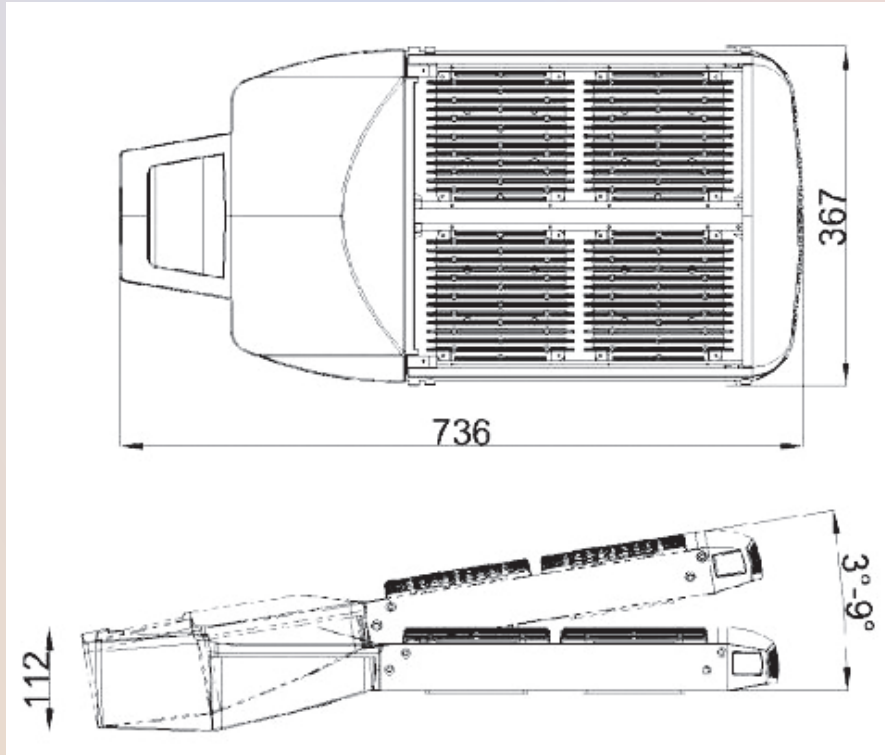
Features.

- High brightness, Single module using 30 grain, high power LED
- Energy saving, driven by high efficiency constant Power efficiency more than 90%
- Superior thermal design, long life, normal use can reach more than 50,000 hours.
- Strong weather ability, not sensitive to temperature, moisture to the wider
- Its simple-designed and easy to use.
- Environmental protection, not heavy metals and harmful gas.
- For Roads, village roads, mountain road, residential quarters, park.



Dimensions

MAS-LED-740 (120 LED) 180W

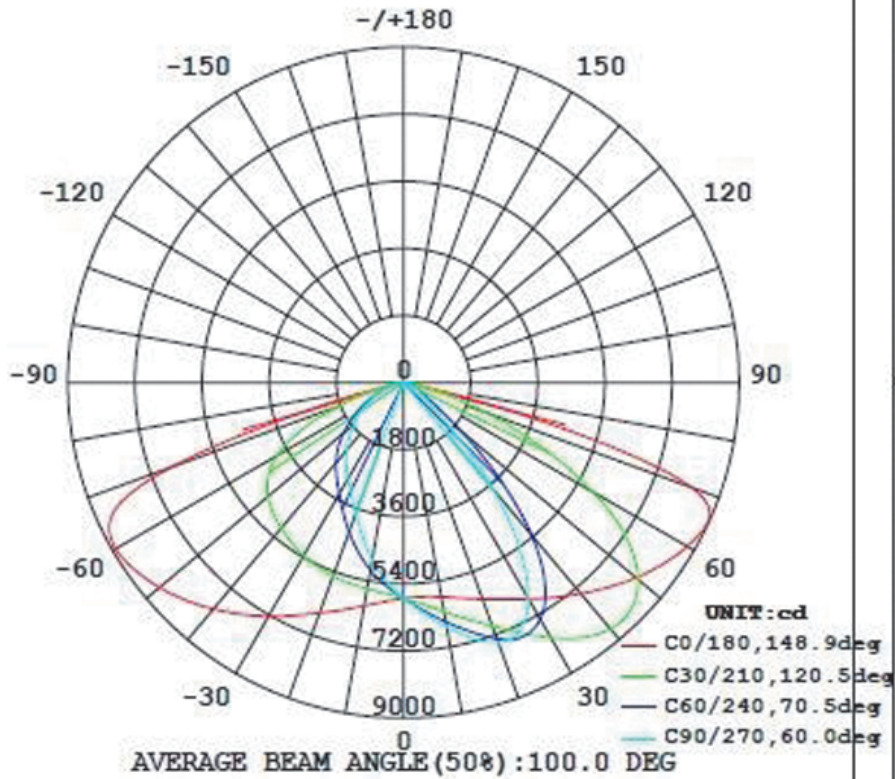


Product Parameters

ITEM	symbol	Description	UNIT
Picture of real products			
Rated Voltage	VOLT	176~305 AC	V
Power	P	180	W
Frequency	f	50~60	Hz
Luminous flux	Φ	19943	Lm
Light efficiency	η	110	Lm/W
Power Factor	PF	>0.95	PF
Operating Temperature	TOPR	-40~+45°C	°C
Storage Temperature	TOPR	-40~+50°C	°C
Protection Level	IP	65	IP
Light Source	/	Elec-tech M1	
Driver		Inventronics dimmable	
Total current harmonics	THD	<20	%
Correlate Color Temperature	Tc	3500K	K
Color Rendering Index	CRI	>70	RA
Number of LED		120	PCS
LED'S Operating Life	LIFE	>50000	Hours
Start-up time	T	<1.0	S
Switch frequency	n	>5000	/
lumen maintain (3000h)	/	>94	%

Test Report

Light distribution diagram



Attention

- Avoid heavy pressure is applied to the lamp, otherwise it will affect the stability of the product.
- Do not for a long time look directly at the luminaire, the lamp light can damage your eyes.
- According to the specification, use the product within the specified input voltage range.
- Non-professionals may not be demolished.
- After opening, please carefully check whether the items are complete, if damaged, please contact the supplier immediately, do not try to use.